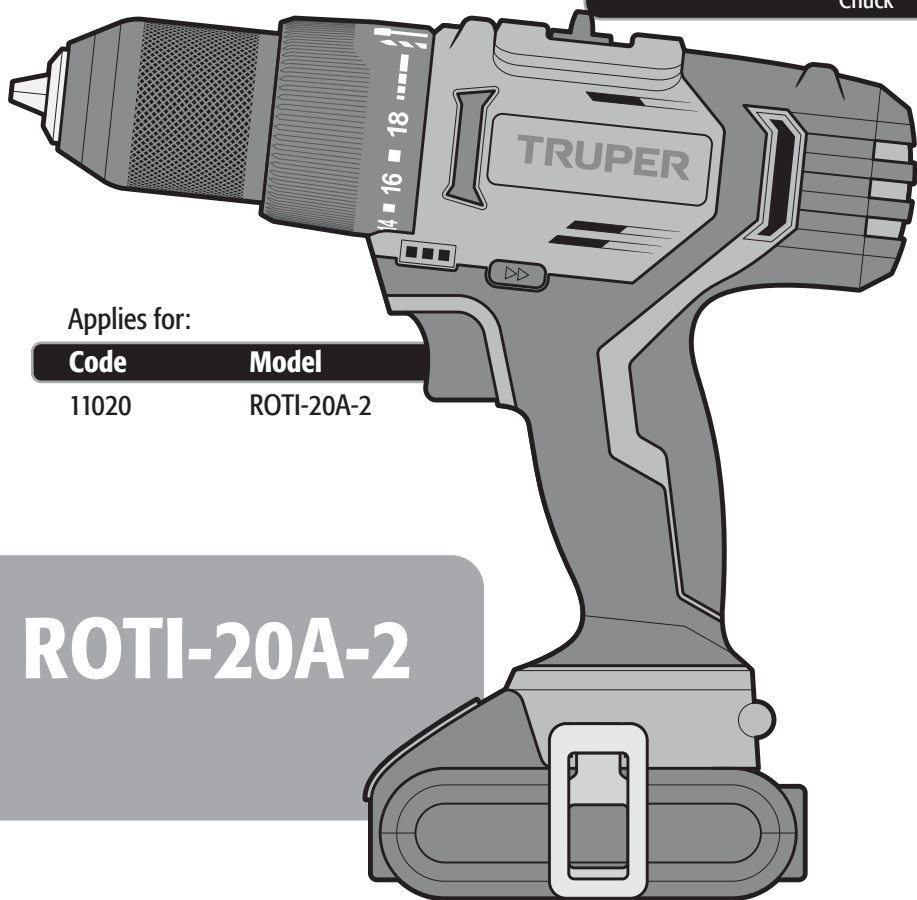


Manual

Cordless hammer drill / drill / driver

20 V_{DC} **1/2"**
Chuck



Applies for:

Code

11020

Model

ROTI-20A-2

ROTI-20A-2

CAUTION



Read this manual thoroughly
before using the tool.



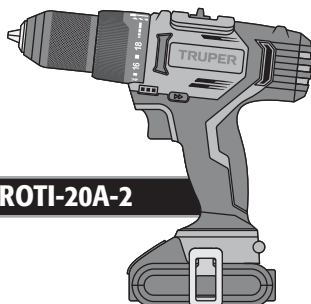
Technical Data	3
Power Requirements	3
 General Power Tools Safety Warnings	4
 Safety Warnings for hammer drills / drills / drivers	5
Parts	6
Start Up	6
Trouble shooting	9
Maintenance	9
Environmental Protection	9
Notes	10
Authorized Service Centers	11
Warranty Policy	12

 CAUTION

To gain the best performance of the tool, prolong the duty life, make the Warranty valid if necessary, and to avoid hazards of fatal injuries please read and understand this Manual before using the tool.

Keep this manual for future references.

The illustrations in this manual are for reference only. They might be different from the real tool.

**ROTI-20A-2**

ROTI-20A-2

Code	11020		
Description	Cordless hammer drill / drill / driver		
Chuck	1/2" keyless		
Voltage	20 V ---		
Speed	Position 1:	0 - 350 RPM	γ 0 - 5 600 strokes per minute
	Position 2:	0 - 1 400 RPM	γ 0 - 22 400 strokes per minute
Rotation	Forward - Reverse		
Torque	18 + 2 functions		
Boring capacity	Concrete: 0.5" Wood: 1" Metal: 0.5"		
Insulation	Class II	IP Grade • IP20	
Battery	Ion-Lithium 20 V --- 2 Ah Charging time: 90 min approximately		
Charger	Input:	Voltage: 220 V ~	Output: 12 V --- - 21 V --- 1.5 A
		Frequency: 50 Hz / 60 Hz	
		Power: 40 W	

Power Cord Grips of the charger used in this product: Type "Y".
Charger Build Quality: Reinforced Insulation.

⚠ WARNING Avoid the risk of electric shock or severe injury. When the power cable gets damaged it should only be replaced by the manufacturer or at a Authorized Service Center. The build quality of the electric insulation is altered if spills or liquid gets into the tool while in use. Do not expose to rain, liquids and/or dampness.

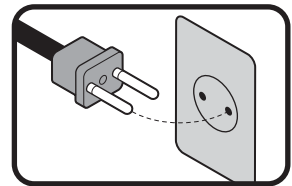
⚠ WARNING Before gaining access to the terminals all power sources should be disconnected.



Power Requirements

⚠ WARNING Tools with double insulation and reinforced insulation eliminate the need of a grounded power cord with three prongs or a grounded power connection.

⚠ WARNING When using an extension cable, verify the gauge is enough for the power that your product needs. A lower gauge cable will cause voltage drop in the line, resulting in power loss and overheating. The following table shows the right size to use depending on cable's length and the ampere capability shown in the tool's nameplate. When in doubt use the next higher gauge.



Ampere Capacity

Number of Conductors

Extension gauge
from 5.9' to 49.2' | higher than 49.2'

from 0 A and up to 10 A
from 10 A and up to 13 A
from 13 A and up to 15 A
from 15 A and up to 20 A

3 (one grounded)

18 AWG(*)	16 AWG
16 AWG	14 AWG
14 AWG	12 AWG
8 AWG	6 AWG

* It is safe to use only if the extensions have a built-in artifact for over current protection.

AWG = American Wire Gauge. Reference: NMX-J-195-ANCE

⚠ WARNING! Read carefully all safety warnings and instruction listed below. Failure to comply with any of these warnings may result in electric shock, fire and / or severe damage. **Save all warnings and instructions for future references.**

Work area

Keep your work area clean, and well lit.

Cluttered and dark areas may cause accidents.



Never use the tool in explosive atmospheres, such as in the presence of flammable liquids, gases or dust.

Sparks generated by power tools may ignite the flammable material.



Keep children and bystanders at a safe distance while operating the tool.

Distractions may cause losing control.



Electrical Safety

The tool plug must match the power outlet. Never modify the plug in any way. Do not use any adapter plugs with grounded power tools.

Modified plugs and different power outlets increase the risk of electric shock.



Avoid body contact with grounded surfaces, such as pipes, radiators, electric ranges and refrigerators.

The risk of electric shock increases if your body is grounded.

Do not expose the tool to rain or wet conditions.

Water entering into the tool increases the risk of electric shock.

Do not force the cord. Never use the cord to carry, lift or unplug the tool. Keep the cord away from heat, oil, sharp edges or moving parts.

Damaged or entangled cords increase the risk of electric shock.

When operating a tool outdoors, use an extension cord suitable for outdoor use.

Using an adequate outdoor extension cord reduces the risk of electric shock.

If operating the tool in a damp location cannot be avoided, use a ground fault circuit interrupter (GFCI) protected supply.

Using a GFCI reduces the risk of electric shock.

Personal safety

Stay alert, watch what you are doing and use common sense when operating a tool. Do not use a power tool while you are tired or under the influence of drugs, alcohol or medication.

A moment of distraction while operating the tool may result in personal injury.

Use personal protective equipment. Always wear eye protection.

Protective equipment such as safety glasses, anti-dust mask, non-skid shoes, hard hats and hearing protection used in the right conditions significantly reduce personal injury.



Prevent unintentional starting up. Ensure the switch is in the "OFF" position before connecting into the power source and / or battery as well as when carrying the tool.

Transporting power tools with the finger on the switch or connecting power tools with the switch in the "ON" position may cause accidents.

Remove any wrench or vice before turning the power tool on.

Wrenches or vices left attached to rotating parts of the tool may result in personal injury.

Do not overreach. Keep proper footing and balance at all times.

This enables a better control on the tool during unexpected situations.

Dress properly. Do not wear loose clothing or jewelry. Keep hair, clothes and gloves away from the moving parts.

Loose clothes or long hair may get caught in moving parts.



If you have dust extraction and recollection devices connected onto the tool, inspect their connections and use them correctly.

Using these devices reduce dust-related risks.

Power Tools Use and Care

Do not force the tool. Use the adequate tool for your application.

The correct tool delivers a better and safer job at the rate for which it was designed.



Do not use the tool if the switch is not working properly.

Any power tool that cannot be turned ON or OFF is dangerous and should be repaired before operating.

Disconnect the tool from the power source and / or battery before making any adjustments, changing accessories or storing.

These measures reduce the risk of accidentally starting the tool.

Store tools out of the reach of children. Do not allow persons that are not familiar with the tool or its instructions to operate the tool.

Power tools are dangerous in the hands of untrained users.



Service the tool. Check the mobile parts are not misaligned or stuck. There should not be broken parts or other conditions which may affect its operation. Repair any damage before using the tool.

Most accidents are caused due to poor maintenance to the tools.



Keep the cutting accessories sharp and clean.

Cutting accessories in good working conditions are less likely to bind and are easier to control.

Use the tool, components and accessories in accordance with these instructions and the projected way to use it for the type of tool when in adequate working conditions.

Using the tool for applications different from those it was designed for, could result in a hazardous situation.

Battery tool Use and Care

Recharge only with the charger specified by TRUPER.

A charger that is suitable for one type of battery pack may create a risk of fire when used with another battery pack.

Use power tools only with specifically designated battery packs.

Use of any other battery packs may create a risk of injury and fire.

When battery pack is not in use, keep it away from other metal objects, like paper clips, coins, keys, nails, screws, or other small metal objects, that can make a connection from one terminal to another.

Shorting the battery terminals together may cause burns or a fire.

Under abusive conditions, liquid may be ejected from the battery; avoid contact. If contact accidentally occurs, flush with water. If liquid contacts eyes, additionally seek medical help.

Liquid ejected from the battery may cause irritation or burns.

Service

Repair the tool in a TRUPER Authorized Service Center using only identical spare parts.

This will ensure that the safety of the power tool is maintained.

Safety warnings for hammer drills / drills / drivers



Battery and Charger

⚠ DANGER • Use only the Truper charger included to charge the battery. Using a different charger may cause fire or injury hazard.

⚠ DANGER • Use only batteries specifically designed for the tool. Different batteries could generate risk of injury or fire.

⚠ DANGER • Do not use the charger outdoors.

- When charging, obey the "+/-" polarity.
- Never recharge a leaking battery or that is visibly damaged.
- Do not use batteries or a charger for purposes different that it was designed for.
- Do not modify the battery contacts or the chargers.
- Never expose the batteries to higher than 122 °F temperatures or direct sun light.

⚠ DANGER • Never expose the batteries to fire or impact. They could explode.

⚠ CAUTION • Batteries shall be kept away from metallic objects like clips, coins, keys, nails, screws or other type of object making contact with the terminals. It would cause a short circuit and burns or fire. They should be kept clean, dry and in good repair.

⚠ CAUTION • Under extreme conditions the battery liquid could spill out. Avoid any contact. If an accidental contact happens clean with enough water. If the battery liquid comes into contact with your eyes, clean with enough water and immediately go see the doctor. Liquid expelled from the batteries could cause irritation or burns.

• Remove battery when not in use.

⚠ CAUTION • If the battery will be stored for long periods of time, keep an intermediate charge (40%) to maximize its useful life. Do not leave it completely charged for long periods of time, or leave it charging when not in use.

- Keep batteries away from children reach.
- Do not discard batteries together with household trash. Go to a specialized center for it's recycling.

Choose the right bit

⚠ CAUTION • Choose the right bit for the work piece. It reduces the risk of severe injury and makes the job easier.

- To work on metal or plastic, use bits suitable for metal. Sizes encompass a minimum of 0.03" (0.04" for a 0.5" chuck) and up to the chuck maximum capacity.
- On wood, use regular bits suitable for wood. In any case, to drill 0.25" or smaller orifices, use bits designed to drill on metal.
- Do not try using bits exceeding the chuck capacity.

Before operating the tool

- Take your time to assess the job to be done and double check you are paying attention to the necessary caution advices before starting to drill.
- Adjust correctly the bit into the chuck.

⚠ DANGER • Before boring a wall, floor or ceiling, double check there are no hidden objects, like cables, power conductors or pipes.

⚠ DANGER • Verify the switch is in the OFF position before inserting the battery. Otherwise it will start working unexpectedly, causing severe injuries.

⚠ CAUTION • Turn off and disconnect the tool before reversing the chuck rotation direction, as well as setting up or replacing a bit.

Use the auxiliary handles, it supplied with the tool. Loosing control may caus personal injuries

While operating the tool

• Hold the tool by it's isolated surfaces designed for that purpose, especially when making jobs where the bit might contact hidden wiring or by their own cord. Contact with a power cable makes the metallic parts of the tool will be energized as well and produce a short circuit to the operator.

• Do not submit the tool to excessive loads.

⚠ CAUTION • If the bit gets stuck in the work piece, turn off the tool immediately. Then, remove the bit from the work piece. Do not try to remove stuck bits turning on and off the tool.

• Do not put excessive pressure on the tool to accelerate boring. Otherwise the bit will get damaged and the tool efficiency will diminish as well as its working life.

⚠ WARNING • The largest the bit diameter, the reactive force is higher. The reactive force is higher causing loss of control over the tool. To prevent this possibility hold firmly the tool with both hands, and keep good footing while boring at 90°.

• Stay alert and ready to relax the force when the bit goes through the material. Sudden movements can break the bit or damage the tool.

⚠ CAUTION • Do not touch the bit or the orifices immediately after drilling. Wait for them to cool off to manipulate. Do not try to cool them with water or oil.

• Before leaving the tool aside make sure all the moving parts have come to a complete stop.

• Avoid setting the tool where there are partides and / or dust immediately after use. These can get absorbed inside the tool mechanism and damage the machine.

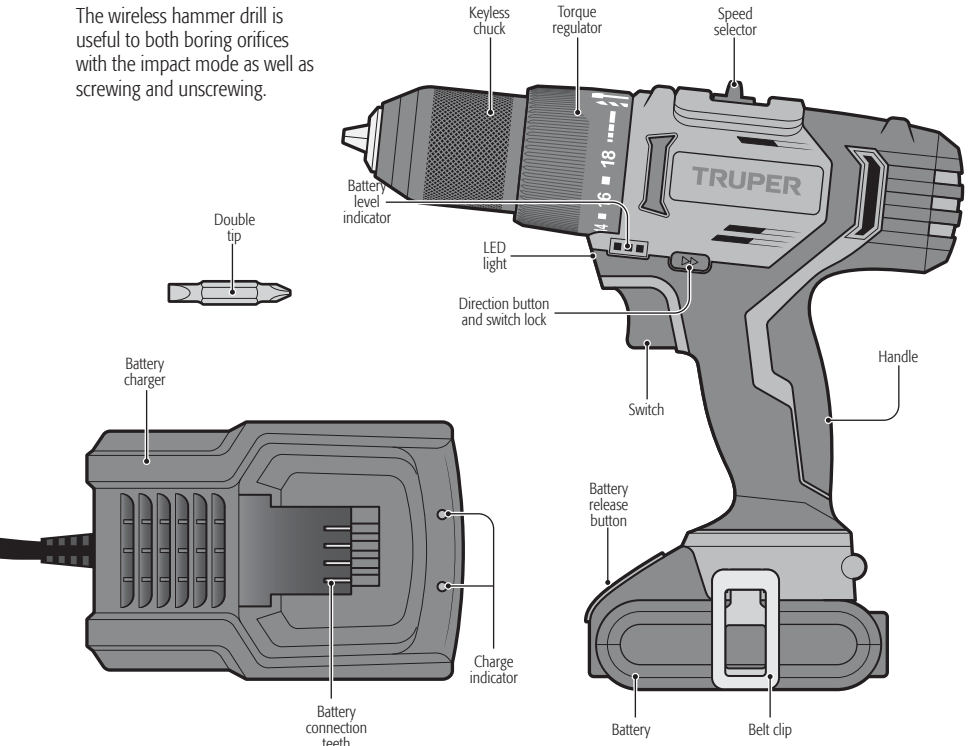
• Wear hearing protectors when making jobs with a noise level higher than 85 dB.

• Use dust mask and dust extractor if necessary.

Remember that materials such as asbestos, paint with lead, additives, some types of wood, metals or minerals are highly toxic.

• Use safety glasses.

The wireless hammer drill is useful to both boring orifices with the impact mode as well as screwing and unscrewing.



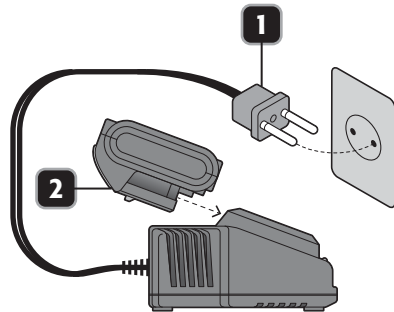
Start Up

Battery charge

1. Plug in the charger in a 220 V ~ power outlet. A green light of the charge indicator will light.

2. Insert the battery into the charger sliding it as shown in the figure. The red light should be on indicating the charge has initiated.

- When the battery is completely charged, the green light will be on and the red light will be off.
- Disconnect the charger from the power once the charge is completed.
- If the red light is blinking it signals a defective battery. Replace with a new one.
- In case the green light is blinking it signal the temperature in the battery is lower to 32 °F or higher than 113 °F. Wait until the battery temperature is in the adequate level to be able to charge it.

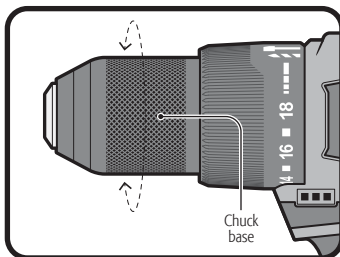


Battery use

The battery is shipped with NO CHARGE. It is necessary to charge the battery 6 hours before being able to use it for the first time. Subsequent load times are performed in about 60 minutes. A normal charging temperature is from 32 °F to 113 °F. Out of this level the charge gets interrupted until reaching the right temperature. A normal temperature for discharge / work is from 32 °F to 167 °F. If 167 °F are exceeded, the electronic control will shut down the tool energy until the temperature reaches the optimum temperature level. When during work the battery is below the regular voltage, the tool stops functioning. Between charges, give the charger 15 minutes rest. In hot temperatures or after a long job the battery might get too hot to be recharged. Allow the battery to cool down before trying to charge it again.

Bits or adaptors assembly

- Using one hand, hold firmly the handle and with your other hand loosen the base turning in a counterclockwise direction.
- Insert the bit until it stops or remove it whichever the situation.
- Turn the base clockwise to fasten the bit.

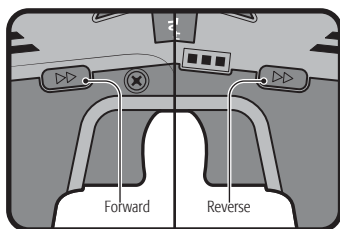


Direction of rotation

- To rotate forward release the trigger and press the direction button on the side where marks point towards the chuck.
- To reverse the turn, press it on the other side.
- The hammer drill will get blocked if the button sits in the middle.

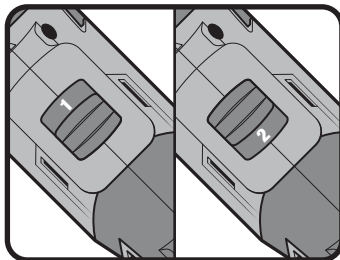
CAUTION • The first time you turn on the hammer drill and after reversing rotation you might hear a click. This is normal and does not represent a problem.

CAUTION • To prevent damaging the tool, never reverse the rotation direction while the hammer drill is running.



Speed selection

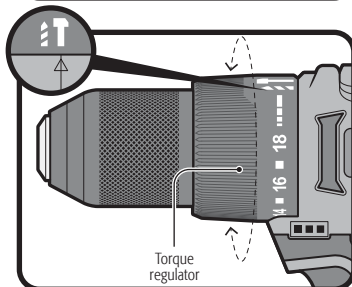
- The two speeds in the drill work in a similar manner to those used in cars.
- Low speed (1) will give a lot of torque (torsion power). Use this speed when starting to drill large orifices, be it wood or metal. This will prevent the bit to get stuck.
- High speed (2) has a reduced torque but lets the drill operate with higher revolutions per minute, that make the tool when in the drill function to bore faster lean metal or wood.



Change from hammer drill to drill

- To bore concrete, tiled floor or materials similarly hard, turn the torque regulator into the IMPACT (I) matching with the top mark position. The bit will strike and rotate at the same time onto the material.
- To bore metal or plastic turn the impact-rotation selector chuck into the CORDLESS HAMMER DRILL (H) matching with the top mark position to make the bit rotate against the material.

WARNING • Do not try to drill metal, wood or plastic with the torque regulator in the IMPACT mode. Otherwise the tool efficiency would diminish and the bit tip will get damaged.



Torque adjust to drill screw

• To select the desired torque level to screw drive, turn the torque regulator until it matches the corresponding number with the upper mark:

From 1 to 3 for small screws,

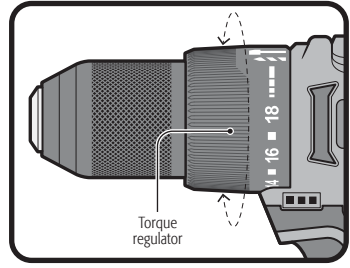
From 4 to 7 for screws on soft materials,

From 8 to 11 for screws on soft and hard material,

From 12 to 15 for screws on hard wood,

On 16 to 18, for larger screws.

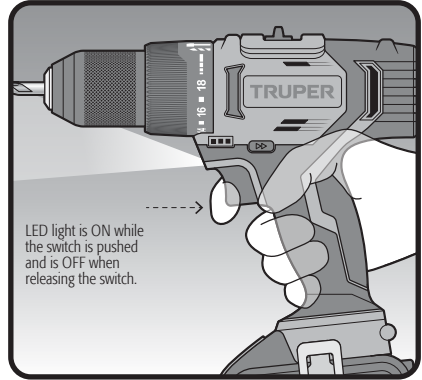
CAUTION • The torque level necessary depends on the type of screw to be used and the material onto which you are working. If in doubt use a lower torque and increase gradually until reaching the right one. An adequate torque prevents damaging the tool.



Turn On and operation control

• The switch allows selecting the adequate speed for each job. The more you push the switch the fastest the hammer drill will run.

• The switch is also built with a braking function. When releasing the trigger, the hammer drill will immediately stop and you will be able to use it as a manual screwdriver to give a screw an extra turn.



Screwing - Unscrewing

• It is recommended to first bore a "pilot orifice"; slightly longer and barely narrower than the measurements of the screw. This orifice will be the entry guide for the screw and will make it easier to tighten. When screwing near the edge of a work piece, a pilot orifice prevents the wood from cracking.

• Use the adequate type of tip for each screw head to prevent the screw from sticking over from the surface.

• If inserting the screw gets difficult remove and try to bore a slightly longer or wider orifice. However keep in mind there should be enough material to fasten the screw. If you reinstate the screwing operation in an already-made orifice, start threading it by hand. If still difficult to thread the screw (as with noble woods), try using lubricants like soap. Liquid soap is more useful.

• Always apply enough pressure on the hammer drill to prevent the screw head to slide. It is easy that the screw head gets damaged, making it difficult to completely get inserted or even to remove it.

Drilling

• When trying to bore large diameter orifices it is better to start with a narrow bit and then replace it with the required size. This prevents overloading the hammer drill.

• When drilling deep orifices remove the bit a little and regularly while boring to allow the shavings to be correctly expelled from the orifice.

CAUTION • If the bit gets stuck, immediately release the switch to prevent damaging the tool. Try to release the bit reversing the operation direction.

• Keep the hammer drill aligned regarding the orifice. Ideally the bit shall enter the work piece perpendicularly. If the angle is changed while drilling could make the bit to break and block the orifice or causing personal injury.

Additional recommendations

• Use the adequate speed for each job: do not try to bore at low speeds or to screw at high speeds.

• If the operation overloads the hammer drill, take it out and repeat the operation applying less strength.

• Use low speeds to start bores where there is no support point; on plastic or metal; when screwing, boring ceramic or any other application that requires a high torque. Use high speeds to drill woods and using polishing devices.

To get a longer hammer drill duty life, use the variable speed control.

Troubleshooting




Problem	Cause	Solution
The hammer drill loses efficiency.	<ul style="list-style-type: none">• Low battery.	<ul style="list-style-type: none">• Charge the battery.
The trigger cannot be pushed.	<ul style="list-style-type: none">• The direction rotation button is in the blocking position.	<ul style="list-style-type: none">• Move the direction button into the rotate or reverse position.
The trigger can be pushed but the chuck stops operations.	<ul style="list-style-type: none">• Uncharged battery.• Regulator is adjusted into a inadequate torque.	<ul style="list-style-type: none">• Charge battery.• Adjust the regulator into a torque that allows the job. Try with the next torque level.
The torque regulator stops operation.	<ul style="list-style-type: none">• Small leaking can be present in extreme temperatures or after heavy use. This is normal.• Intense leaking or very evident shows a damaged battery.	<ul style="list-style-type: none">• Immediately clean the liquid from skin or clothing using water and soap.• Replace the battery immediately.
The battery leaks.	<ul style="list-style-type: none">• The battery is wrongly fit into the charger.• The charger is not correctly plugged into the power outlet.	<ul style="list-style-type: none">• Insert correctly the battery to the charger.• Double-check the battery is correctly connected into the power outlet.
The battery is not charging and the charger light is not on.	<ul style="list-style-type: none">• The battery is wrongly fit into the charger.• The charger is not correctly plugged into the power outlet.	<ul style="list-style-type: none">• Insert correctly the battery to the charger.• Double-check the battery is correctly connected into the power outlet.
The hammer drill gets hot after long periods or work.	<ul style="list-style-type: none">• This heating is normal. It absorbs the energy from the motor cogs and the electricity generated during the job.	<ul style="list-style-type: none">• Allow the hammer drill to cool off for 5 minutes.
The battery gets hot while operating.	<ul style="list-style-type: none">• This heating is normal. The energy absorbed from the battery makes this warning.	<ul style="list-style-type: none">• Stop the drill around 5 minutes to allow the battery to cool off.
The battery gets hot while charging.	<ul style="list-style-type: none">• This type of warming is normal. Results from the chemical reactions happening.	
The charger gets hot while charging.	<ul style="list-style-type: none">• This type of warming is normal resulting from tension regulation.	

Maintenance

Cleansing and care

- Keep the air vents clean and free of obstructing debris to guarantee an adequate motor cooling.
- Regularly inspect all the assembly screws. Double check they are correctly tightened. In the event one screw is loose, tighten immediately.
- Use a clean and soft cloth to clean the tool. Never use alcohol or detergent. Disconnect the tool and remove the battery before cleaning.

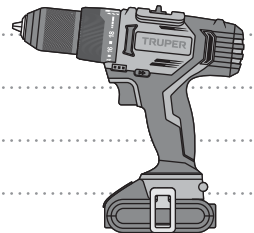
Service

- Servicing the tool shall be carried out only in a  **TRUPER** Authorized Service Center.
- Service and maintenance carried out by non - qualified people may result dangerous and could cause personal damage. It also makes the Warranty void.

Environmental protection

Power tools and batteries should not be disposed off together with household trash. Please deliver this tool and the batteries to its adequate recycling in the authorized disposal sites. Verify the nearest recycling center in your community.


Series of horizontal dotted lines for writing notes.



In the event of any problem contacting a  **TRUPER** Authorized Service Center, please see our webpage www.truper.com to get an updated list, or call our toll-free numbers **800 690-6990** or **800 0187-8737** to get information about the nearest Service Center.

- AGUASCALIENTES** **DE TODO PARA LA CONSTRUCCIÓN**
GRAL. BARRAGÁN #1201, COL. CREMIAL, C.P. 20030, AGUASCALIENTES, AGS. TEL.: 449 994 0537
- BAJA CALIFORNIA** **SUCURSAL TIJUANA**
AV. LA ENCANTADA, LOTE #5, PARQUE INDUSTRIAL EL FLORIDO II, C.P. 22244, TIJUANA, B.C. TEL.: 664 969 5100
- BAJA CALIFORNIA SUR** **FIX FERRETERÍAS**
FELIPE ÁNGELES ESQ. RUIZ CORTÍNEZ S/N, COL. PUEBLO NUEVO, C.P. 23670, CD. CONSTITUCIÓN, B.C.S. TEL.: 613 132 1115
- CAMPECHE** **TORNILLERÍA Y FERRETERÍA AAA**
AV. ÁLVARO OBREGÓN #524, COL. ESPERANZA C.P. 24080 CAMPECHE, CAMP. TEL.: 981 815 2808
- CHIAPAS** **FIX FERRETERÍAS**
AV. CENTRAL SUR #27, COL. CENTRO, C.P. 30700, TAPACHULA, CHIS. TEL.: 962 118 4083
- CHIHUAHUA** **SUCURSAL CHIHUAHUA**
AV. SILVESTRE TERRAZAS #128-11, PARQUE INDUSTRIAL BAFAR, CARRETERA MÉXICO CUAUHTÉMOC, C.P. 31415, CHIHUAHUA, CHIH. TEL. 614 434 0052
- MEXICO CITY** **FIX FERRETERÍAS**
EL MONSTRUO DE CORREGIDORA, CORREGIDORA # 22, COL. CENTRO, C.P. 06060, CUAUHTÉMOC, CDMX. TEL.: 55 5522 5031 / 5522 4861
- COAHUILA** **SUCURSAL TORREÓN**
CALLE METAL MECÁNICA #280, PARQUE INDUSTRIAL ORIENTE, C.P. 27278, TORREÓN, COAH. TEL.: 811 209 68 23
- COLIMA** **BOMBAS Y MOTORES BYMTESA DE MANZANILLO**
BLVD. MIGUEL DE LA MADRID #190, COL. 16 DE SEPTIEMBRE, C.P. 28259, MANZANILLO, COL. TEL.: 314 352 1986 / 352 8015
- DURANGO** **TORNILLOS ÁGUILA, S.A. DE C.V.**
MAZURIO #200, COL. LUIS ECHEVERRÍA, DURANGO, DGO. TEL.: 618 817 1946 / 618 818 2844
- ESTADO DE MÉXICO** **SUCURSAL CENTRO JILOTEPEC**
AV. PARQUE INDUSTRIAL #1-A, C.P. 54240, JILOTEPEC, EDO. DE MÉX. TEL.: 761 782 9101 EXT. 5728 Y 5102
- GUANAJUATO** **CÍA. FERRETERA NUEVO MUNDO S.A. DE C.V.**
AV. MÉXICO - JAPÓN #225, CD. INDUSTRIAL, C.P. 38010, CELAYA, GTO. TEL.: 461 617 7578 / 79 / 80 / 88
- GUERRERO** **CENTRO DE SERVICIO ECLIPSE**
CALLE PRINCIPAL MZ1 LT. 1, COL. SANTA FE, C.P. 39010, CHILPANCINGO, GRO. TEL.: 747 478 5793
- HIDALGO** **FERREPRECIOS S.A. DE C.V.**
LIBERTAD ORIENTE #304 LOCAL 30, INTERIOR DE PASAJE ROBLEDO, COL. CENTRO, C.P. 43600, TULANCINGO, HGO. TEL.: 775 753 6615 / 775 753 6616
- JALISCO** **SUCURSAL GUADALAJARA**
AV. ADOLFO B. HORN # 6800, COL: SANTA CRUZ DEL VALLE, C.P.: 45655, TLAJAMULCO DE ZUÑIGA, JAL. TEL.: 33 3606 5285 AL 90
- MICHOACÁN** **FIX FERRETERÍAS**
AV. PASEO DE LA REPÚBLICA #3140-A, COL. EX-HACIENDA DE LA HUERTA, C.P. 58050, MORELIA, MICH. TEL.: 443 334 6858
- MORELOS** **FIX FERRETERÍAS**
CAPITÁN ANZURES #95, ESQ. JOSÉ PERDIZ, COL. CENTRO, C.P. 62740, CUAUTLA, MOR. TEL.: 735 352 8931
- NAYARIT** **HERRAMIENTAS DE TEPIC**
MAZATLAN #117, COL. CENTRO, C.P. 63000, TEPIC, NAY. TEL.: 311 258 0540
- NUEVO LEÓN** **SUCURSAL MONTERREY**
CARRETERA LAREDO #300, 1B MONTERREY PARKS, COLONIA PUERTA DE ANÁHUAC, C.P. 66052, ESCOBEDO, NUEVO LEÓN, TEL.: 81 8352 8791 / 81 8352 8790
- OAXACA** **FIX FERRETERÍAS**
AV. 20 DE NOVIEMBRE #910, COL. CENTRO, C.P. 68300, TUXTEPEC, OAX. TEL.: 287 106 3092
- PUEBLA** **SUCURSAL PUEBLA**
AV. PERIFÉRICO #2-A, SAN LORENZO ALMECATLA, C.P. 72710, CUAUTLACINGO, PUE. TEL.: 222 282 8282 / 84 / 85 / 86
- QUERÉTARO** **ARU HERRAMIENTAS S.A. DE C.V.**
AV. PUERTO DE VERACRUZ #110, COL. RANCHO DE ENMEDIO, C.P. 76842, SAN JUAN DEL RÍO, QRO. TEL.: 427 268 4544
- QUINTANA ROO** **FIX FERRETERÍAS**
CARRETERA FEDERAL MZ. 46 LT. 3 LOCAL 2, COL EJIDAL, C.P. 77710 PLAYA DEL CARMEN, Q.R. TEL.: 984 267 3140
- SAN LUIS POTOSÍ** **FIX FERRETERÍAS**
AV. UNIVERSIDAD #1850, COL. EL PASEO, C.P. 78320, SAN LUIS POTOSÍ, S.L.P. TEL.: 444 822 4341
- SINALOA** **SUCURSAL CULIACÁN**
AV. JESÚS KUMATE SUR #4301, COL. HACIENDA DE LA MORA, C.P. 80143, CULIACÁN, SIN. TEL.: 667 173 9139 / 173 8400
- SONORA** **FIX FERRETERÍAS**
CALLE 5 DE FEBRERO #517, SUR LT. 25 MZ. 10, COL. CENTRO, C.P. 85000, CD. OBREGÓN, SON. TEL.: 644 413 2392
- TABASCO** **SUCURSAL VILLAHERMOSA**
CALLE HELIO LOTES 1, 2 Y 3 MZ. #1, COL. INDUSTRIAL, 2A ETAPA, C.P. 86010, VILLAHERMOSA, TAB. TEL.: 993 553 7244
- TAMAULIPAS** **VM ORINGS Y REFACCIONES**
CALLE ROSITA #527 ENTRE 20 DE NOVIEMBRE Y GRAL. RODRÍGUEZ, FRACC. REYNOSA, C.P. 88780, REYNOSA, TAMS. TEL.: 899 926 7552
- TLAXCALA** **SERVICIOS Y HERRAMIENTAS INDUSTRIALES**
PABLO SIDAR #152, COL. -BARRIO DE SAN BARTOLOMÉ, C.P. 90970, SAN PABLO DEL MONTE, TLAX. TEL.: 222 271 7502
- VERACRUZ** **LA CASA DISTRIBUIDORA TRUPER**
BLVD. PRIMAVERA, ESQ. HORTENSIA S/N, COL. PRIMAVERA, C.P. 93308, POZA RICA, VER. TEL.: 782 823 8100 / 826 8484
- YUCATÁN** **SUCURSAL MÉRIDA**
CALLE 33 #600 Y 602, LOCALIDAD ITZINCAB Y MULSAV, MPIO. UMIÁN, C.P. 97390, MÉRIDA, YUC. TEL.: 999 912 2451

Code	Model	Brand
11020	ROTI-20A-2	 TRUPER®

This product is guaranteed for 2 years. To make the warranty valid or purchase parts and components you must present the product in Corregidora 22, Col. Centro, Alc. Cuauhtémoc, CDMX C.P. 06060 or at the establishment where you purchased it, or at any Truper® Service Center listed in the annex to the warranty policy and/or in www.truper.com. Transportation costs resulting from compliance of this warranty will be covered by  **TRUPER®**

For questions or comments, call **800-690-6990**. Made in China. Imported by Truper, S.A. de C.V. Parque Industrial 1, Parque Industrial Jilotepec, Jilotepec, Edo. de Méx. C.P. 54257, Phone number: 76 1782 9100.

Stamp of the business. Date of purchase:



2
AÑOS

Sello del establecimiento comercial. Fecha de compra:

Este producto está garantizado por 2 años. Para hacer válida la garantía o adquirir piezas y componentes deberá presentar el producto en Corregidora 22, Col. Centro, Alc. Cuauhitémoc, CDMX C.P. 06060 o en el establecimiento donde lo compró, o en algún Centro de Servicio Truper® de los enlistados en el anexo de la póliza de garantía y/o en www.truper.com. Los gastos de transportación que resulten para su cumplimiento serán cubiertos por **TRUPER**.

Para dudas o comentarios, llame al **800-690-6990**. Hecho en China. Importado por Truper, S.A. de C.V. Parque Industrial 1, Parque Industrial Jilotepec, Jilotepec, Edo. de Méx. C.P. 54257, Tel.: 76 1782 9100.

ROTI-20A-2

Modelo

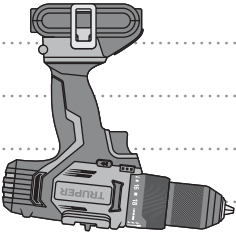
11020

Código

Póliza de
Garantía

En caso de tener algún problema para contactar un Centro de Servicio Autorizado TRUPER, consulte nuestra página www.truper.com donde obtendrá un listado actualizado, o llame al: 800 690-6990 o 800 0187-8737 donde le informarán cuál es el Centro de Servicio más cercano.

AGUASCALIENTES	DE TODO PARA LA CONSTRUCCION GRAL. BARRACÁN #1201, COL. GREMIAL, C.P. 20030. AGUASCALIENTES, AGS. TEL.: 449 994 940 0537
BAYA	SUCURSAL TIJUANA AV. LA ENCARNADA, LOTE #5, PARQUE INDUSTRIAL EL FLORIDO II, C.P. 22244, TIJUANA, B.C. TEL.: 664 969 5100
CALIFORNIA	SUCURSAL CALIFORNIA AV. LA ENCARNADA, LOTE #5, PARQUE INDUSTRIAL EL FLORIDO II, C.P. 22244, TIJUANA, B.C. TEL.: 664 969 5100
BAYA	SUCURSAL TIJUANA AV. LA ENCARNADA, LOTE #5, PARQUE INDUSTRIAL EL FLORIDO II, C.P. 22244, TIJUANA, B.C. TEL.: 664 969 5100
CALIFORNIA SUR	SUCURSAL CALIFORNIA SUR FELIPE ANGELES ESQ. RUIZ CORTINEZ S/N, COL. PUEBLO NUEVO, C.P. 25670, CD. CONSTITUCIÓN, B.C.S. TEL.: 613 132 1115
CAMPECHE	TORNILLERIA Y FERRERIA AAA AV. ALVARO OBREGÓN #524, COL. ESPERANZA C.P. 24080 CAMPECHE, CAMP. TEL.: 981 815 2808
CHAMPAS	FIX FERRERIAS AV. CENTRAL SUR #27, COL. CENTRO, C.P. 30700, TAPACHULA, CHIS. TEL.: 962 118 4085
CHIHUAHUA	SUCURSAL CHIHUAHUA AV. SIESTE REPERAZAS #128-11, PARQUE INDUSTRIAL BARR. CARRERITA MEXICO CUAHTEMOC, C.P. 31415, CHIHUAHUA, CHIH. TEL.: 614 454 0052
CIUDAD DE MEXICO	FIX FERRERIAS EL MONTEBANO DE CORRERIDORA, CORRERIDORA # 22, COL. CENTRO, C.P. 06060, CUAHTEMOC, CDMX. TEL.: 55 5222 5031 / 5522 4861
COAHUILA	SUCURSAL TOREÓN CALTE METAL MECÁNICA #280, PARQUE INDUSTRIAL ORIENTE, C.P. 27278, TORREÓN, COAH. TEL.: 871 209 68 23
COLIMA	BOMBAS Y MOTORES BYMTEA DE MANZANILLO MIGUEL DE LA MARIÑO #190, COL. 16 DE SEPTIEMBRE, C.P. 28259, MANZANILLO, COL. TEL.: 314 352 1986 / 352 8015
DURANGO	TORNILLOS ÁGUILA, S.A. DE C.V. DGO. TEL.: 618 817 1946 / 618 818 2844 AV. PARQUE INDUSTRIAL #1-A, C.P. 52420, JILOTEPEC, EDU. DE MEX. TEL.: 761 782 9101 EXT. 5728 Y 5102
ESTADO DE MEXICO	SUCURSAL CENTRO JILOTEPEC EDU. DE MEX. TEL.: 761 782 9101 EXT. 5728 Y 5102 AV. PARQUE INDUSTRIAL #1-A, C.P. 52420, JILOTEPEC, EDU. DE MEX. TEL.: 761 782 9101 EXT. 5728 Y 5102
GUANAJUATO	CIA. FERRERIA NUEVO MUNDO S.A. DE C.V. CELAYA, GTO. TEL.: 461 617 7578 / 79 / 80 / 88 AV. MEXICO - JAPON #225, CD. INDUSTRIAL, C.P. 38010, GUANAJUATO, GTO. TEL.: 461 617 7578 / 79 / 80 / 88
GUERRERO	CENTRO DE SERVICIO ECUPISE CALTE PRINCIPAL M21 LT. 1, COL. SANTA FE, C.P. 39010, CHIHLAPANCIÑO, GRO. TEL.: 747 478 5793
HIDALGO	FERRERECIOS S.A. DE C.V. LIBERTAD ORIENTE #504 LOCAL 30, INTERIOR DE PASAJE ROBLERO, CD. CENTRO, C.P. 43600, TULANCIÑO, HGO. TEL.: 775 753 6615 / 775 753 6616
JALISCO	SUCURSAL GUADALAJARA AV. ADOFO B. HORN #6800, COL. SANTA CRUZ DEL VALLE, C.P. 45655, TULANCIÑO DE ZUNIGA, JAL. TEL.: 33 3606 5285 19
MICHOCÁN	FIX FERRERIAS AV. PASO DE LA REPUBLICA #3140-A, COL. EX-HACIENDA DE LA HUERTA, C.P. 58050, MORELIA, MICH. TEL.: 443 334 6858
MORELOS	FIX FERRERIAS CAPITÁN ANZURES #95, ESQ. JOSÉ PERDIZ, COL. CENTRO, C.P. 62740, CUAUTLA, MOR. TEL.: 735 352 8931
NAVARIT	HERRAMIENTAS DE TEPIC MAZATLÁN #117, COL. CENTRO, C.P. 63000, TEPIC, NAY. TEL.: 311 258 0540
NEUVO LEÓN	SUCURSAL MONTERREY CARRETERA LARCEO #500, 18 MONTERREY PARKS, COLOMIN PUEBLA DE ANAHUAC, C.P. 66052, ESCOBEDO, NUEVO LEÓN, TEL.: 81 8352 8791 / 81 8352 8790
OAXACA	FIX FERRERIAS AV. 20 DE NOVIEMBRE #910, COL. CENTRO, C.P. 68300, TUXTEPEC, OAX. TEL.: 287 106 5092
PUEBLA	SUCURSAL PUEBLA AV. FERRERICO #2-A, SAN LORENZO ALMECATLA, C.P. 72710, CUAUTLAQUINGO, PUE. TEL.: 222 282 8282 / 84 / 85 / 86
QUERÉTARO	ARU HERRAMIENTAS S.A. DE C.V. AV. PUERTO DE VERACRUZ #110, COL. RANCHO DE ENMEDIO, C.P. 76842, SAN JUAN DEL RÍO, QRO. TEL.: 427 268 4544
QUINTANA ROO	FIX FERRERIAS CARRETERA FEDERAL MZ. 46 LT. 3 LOCAL 2, COL. EJIDAL, SAN LUIS POTOSÍ, S.L.P. TEL.: 444 822 4341
SAN LUIS POTOSÍ	FIX FERRERIAS AV. UNIVERSIDAD #1850, COL. EL PASO, C.P. 78320, SAN LUIS POTOSÍ, S.L.P. TEL.: 444 822 4341
SINALOA	SUCURSAL CUCLAACÁN AV. JESUS KUINATE SUS #4300, COL. HACIENDA DE LA MORA, C.P. 80143, CUCLAACÁN, SIN. TEL.: 667 173 9139 / 173 8400
SONORA	FIX FERRERIAS CALTE 5 DE FEBRERO #517, SUR LT. 25 MZ. 10, COL. CENTRO, C.P. 85000, SON. TEL.: 644 413 2392
TABASCO	SUCURSAL VILLAHERMOSA CALTE HELIO LOTES 1, 2 Y 3 MZ. #1, COL. INDUSTRIAL, 2A ETAPA, C.P. 86010, VILLAHERMOSA, TAB. TEL.: 993 353 2444
TAMAULIPAS	VM ORINOS Y REACCIONES CALTE ROSITA #527 ENTRE 20 DE NOVIEMBRE Y GRAL. RODRÍGUEZ FRACC. REYNOSA, C.P. 88780, REYNOSA, TAMS. TEL.: 899 926 7525
TLAXCALA	SERVICIOS Y HERRAMIENTAS INDUSTRIALES PABLO SIDAR #132, COL. BARRIO DE SAN BARTOLOMÉ, C.P. 90970, SAN PABLO DEL MONTE, TLAX. TEL.: 222 271 7502
VERACRUZ	LA CASA DISTRIBUIDORA TRUPER PRIMAVERA ESQ. HORTENSIA S/N, COL. BLMV, PRIMAVERA, C.P. 93308, POZA RICA, VER. TEL.: 782 823 8100 / 826 8484
YUCATÁN	SUCURSAL MÉRIDA CALTE 33 #600 Y 602, LOCALIDAD ITZINCAH Y MUNJAY, MPIO. UMAN, C.P. 97390, MÉRIDA, YUC. TEL.: 999 912 2451



Solución de problemas



Solución

Problema

Causa

- Cargue la batería.

El rotamartillo pierde eficacia.

El gatillo no se puede apretar.
El botón de dirección de giro se encuentra en la posición de bloqueo.

- Mueva el botón de dirección de giro a la posición de giro o reversa.

El gatillo puede apretarse pero el broquero no gira.

- Batería descargada.

- Ajuste el regulador a un torque que permita el trabajo. Pruebe con el siguiente nivel de torque.

El regulador de torque impide la operación.
El regulador está ajustado en un torque inadecuado.

La batería gotea.
Goteo diminuto podrá presentarse en temperaturas extremas o después de un uso pesado, esto es normal.
El goteo intenso o muy evidente es debido a una batería dañada.

- Limpie de inmediato con agua y jabón el líquido de la piel o ropa.
- Reemplace la batería de inmediato.

- Batería mal colocada en el cargador.

- Inserte correctamente la batería al cargador.
- Revise que la clavija se encuentre bien conectada al tomacorriente.

La batería no se carga y la luz del cargador no enciende.

El rotamartillo se calienta después de períodos de trabajo prolongados.
Este calentamiento es normal, ya que absorbe la energía que los engranes del motor y la electricidad generan durante el trabajo.

- Permita que el rotamartillo se enfríe por espacio de 5 minutos.

La batería se calienta durante la operación.

- Este calentamiento es normal, la energía que está en marcha hace que ésta se caliente.
- Detenga el rotamartillo por espacio de 5 minutos para que la batería se enfríe.

La batería se calienta durante la carga.

- Este calentamiento es normal, resultado de las reacciones químicas que suceden dentro de la batería mientras se carga.

carga.

El cargador se calienta durante la regulación de tensión.

Mantenimiento

Limpieza y cuidados

- Mantenga las ventillas limpias y libres de obstrucciones para garantizar un enfriamiento adecuado del motor.
- Inspeccione regularmente todos los tornillos de montaje y asegúrese de que estén apretados correctamente. En caso de que alguno de los tornillos esté suelto, apriételo inmediatamente.
- Use un paño limpio y suave para limpiar la herramienta. Nunca use alcohol o detergente. Desconecte la herramienta y remueva la batería antes de limpiarla.

Protección ambiental

Servicio

El servicio de las herramientas debe ser realizado únicamente en un Centro de Servicio Autorizado TRUPER. El servicio y mantenimiento realizado por personas no calificadas puede resultar peligroso y llegar a ocasionar daños personales además de invalidar la garantía del producto.

Los aparatos eléctricos y las baterías no deben desecharse junto con los desperdicios domésticos. Por favor, entregue este aparato, así como sus baterías con los contactos aislados con tela adhesiva a un centro de reciclaje. Verifique la ubicación del centro más cercano a su comunidad.

Ajuste de torque para atornillar

- Para seleccionar el nivel de torque deseado gire el regulador de torque hasta hacer coincidir el número correspondiente con la marca superior;
 - de 1 a 3 para tornillos pequeños;
 - de 4 a 7 para tornillos en material suave y duro;
 - de 8 a 11 para tornillos en material suave y duro;
 - de 12 a 15 para atornillar tornillos en madera dura;
 - y de 16 a 18 para tornillos más grandes.
- ⚠ ATENCIÓN** • El nivel de torque necesario depende del tipo de tornillo a usar y del material sobre el cual se trabaje. Si tiene duda use un menor torque e incrementalmente hasta lograr el adecuado. Un torque adecuado evita daños a la herramienta.

Encendido y control de operación

- El interruptor le permite seleccionar la velocidad adecuada para cada tarea. Mientras más apriete el interruptor, más rápido operará el rotomartillo.
- El interruptor está equipado también con una función de freno. Una vez que usted suelte el gatillo, el rotomartillo se detendrá de inmediato, y podrá utilizarlo como destornillador manual para dar una vuelta extra a un tornillo.

Atornillar - destornillar

- Se recomienda que primero se perforo un "orificio piloto", ligeramente más largo y apenas más angosto de lo que mide el tornillo a insertar. El orificio piloto actúa como guía para la entrada del tornillo, al tiempo que facilita el apretado. Cuando un tornillo es colocado cerca del borde de una pieza, un orificio piloto también ayuda a prevenir que la madera se parta.
- Use el tipo de punta adecuado para cada cabeza de tornillo, para evitar que el tornillo sobresalga de la superficie. Si se dificultara la inserción de un tornillo, remuévalo e intente perforar un orificio ligeramente más largo o ancho. Sin embargo, recuerde que debe haber suficiente material para que el tornillo se suelte. Si reinicia la operación de atornillado en un orificio ya hecho, empiece ensacándolo a mano. Si aún así fuera difícil de ensacar (como sería el caso con maderas muy duras), intente usar un lubricante como jabón, el jabón líquido tiende a ser el más útil.
- Siempre aplique suficiente presión sobre el rotomartillo para evitar que la cabeza se barra. Es fácil que la cabeza del tornillo se dañe, lo que dificultará insertarlo por completo o incluso removerlo.

Recomendaciones adicionales

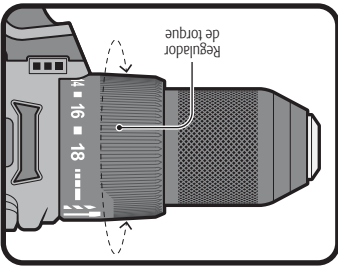
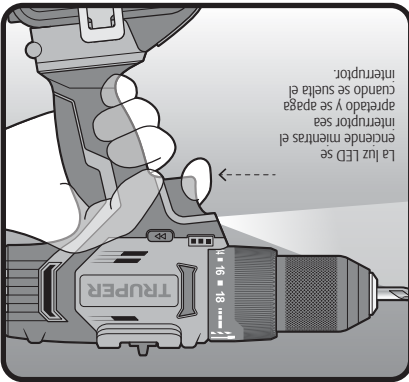
- Use la velocidad adecuada a cada tarea: no trate de perforar a velocidades bajas ni de atornillar a altas velocidades.
- Si la operación sobrecarga el rotomartillo, extráigalo y repita la operación aplicando menos fuerza.
- Use bajas velocidades para iniciar perforaciones donde no hay punto de apoyo, sobre plástico o metal, al atornillar, al perforar cerámica o cualquier aplicación que requiera de torque elevado. Utilice altas velocidades para taladrar madera y al usar artículos para pulir. Para obtener el máximo de vida de su rotomartillo, use el control de velocidad variable.

Taladrar

- Cuando trate de perforar orificios de diámetros grandes, siempre es mejor iniciarlos con una broca delgada y después cambiarla por una del tamaño requerido. Esto previene la sobrecarga del rotomartillo.
- Al taladrar orificios profundos retire la broca sólo un poco y con regularidad mientras perfora, para que la viruta pueda ser expulsada adecuadamente del orificio.
- Si la broca se atasca, suelte el interruptor inmediatamente para prevenir daños permanentes en la herramienta. Intente desatascar la broca invitando el sentido de operación.
- Mantenga el rotomartillo alineado con respecto al orificio. Idealmente, la broca deberá entrar siempre perpendicularmente en la pieza de trabajo. Si el ángulo es cambiado durante el proceso de perforado, esto podrá hacer que la broca se rompa, bloqueando el orificio o incluso causando lesiones personales.

⚠ ATENCIÓN

- Si la broca se atasca, suelte el interruptor inmediatamente para prevenir daños permanentes en la herramienta. Intente desatascar la broca invitando el sentido de operación.



Consideraciones para el uso de la batería

La batería viene DESCARGADA de fábrica. Será necesario que la cargue por 6 horas antes de poder usarla por primera vez, los tiempos de carga posteriores se realizan en 60 minutos aproximadamente. La temperatura normal de carga es de 0 °C a 45 °C. Fuera de este rango se suspende la carga automáticamente hasta que alcance la temperatura correcta. La temperatura normal de descarga / trabajo es de 0 °C a 75 °C. Si los 75 °C se exceden, el control electrónico apaga la energía de la herramienta hasta que la temperatura alcance de nuevo el rango óptimo de temperatura. Cuando la batería está debajo de la tensión normal durante el trabajo, la herramienta deja de funcionar. Entre cada carga, dé al cargador 15 minutos de descanso. En un ambiente cálido o después de uso prolongado, es posible que la batería se caliente demasiado como para ser recargada. Permita que la batería se enfríe antes de intentar recargarla.

Instalación de brocas o adaptadores

- Sujete el magno firmemente con una mano y con la otra, alíjelo a las bases del broquero, girándola en sentido contrario a las manecillas del reloj.
- Inserte la broca hasta el tope o retréala según sea el caso.
- Gire la base del broquero en sentido de las manecillas del reloj para asegurar la broca.

Dirección de rotación

- Para perforar y atomillar, suelte el interruptor y presione el botón de dirección de giro del lado en donde las marcas apuntan hacia el broquero.
- El interruptor del rotomartillo se bloquea si el botón de dirección de giro está en la posición de en medio, lo cual es útil si se necesita dar un giro extra de forma manual para apretar o aflojar tornillos.
- La primera vez que encienda el rotomartillo después de invertir la rotación, puede escucharse un clic. Esto es normal y no representa ningún problema.

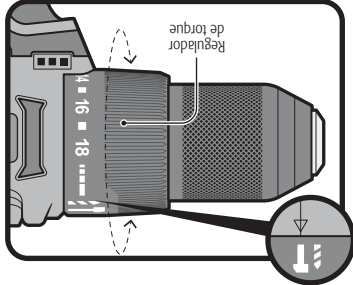
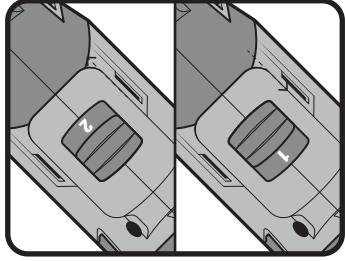
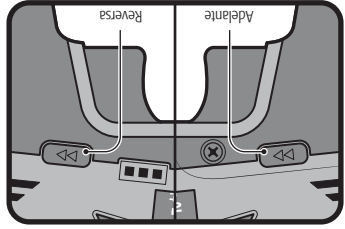
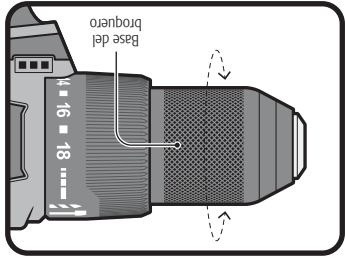
ATENCIÓN • Nunca invierta la dirección de la rotación mientras el rotomartillo se encuentre en funcionamiento, para no dañar la herramienta.

Selección de velocidad

- Las dos velocidades con que cuenta el rotomartillo funcionan de manera similar a las que se usa en los autos.
- La velocidad baja (1) le dará mucho torque (poder de torsión). Use esta velocidad cuando empiece a taladrar orificios grandes, ya sea en metal o concreto. Esto evitará que la broca se atasque.
- La velocidad alta (2) tiene un torque reducido pero permite que el rotomartillo opere a mayores revoluciones por minuto, lo que hará que el rotomartillo, en su función de taladro, perforo más rápido la madera o metal delgado.

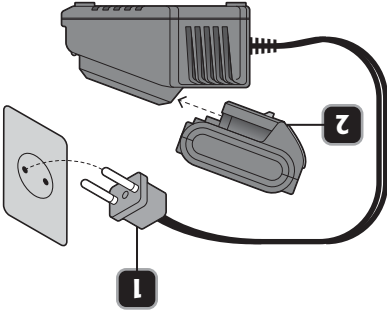
Cambio de rotomartillo a taladro

- Para perforar hormigón, piedra baldosa o materiales de dureza similar, gire el regulador de torque a la posición de IMPACTO (■ coincidiendo con la marca superior). La broca dará impactos sobre el material, girando al mismo tiempo. Utilice brocas de carburo de tungsteno.
- Para perforar metal, madera o plástico, gire el regulador de torque a la posición de TALADRO (▼ coincidiendo con la marca superior), para que la broca gire sobre el material.
- **ADVERTENCIA** • No intente perforar metal, madera o plástico con el regulador de torque en el modo de IMPACTO. De lo contrario, reducirá la eficiencia de la herramienta, y dañará la punta de la broca.

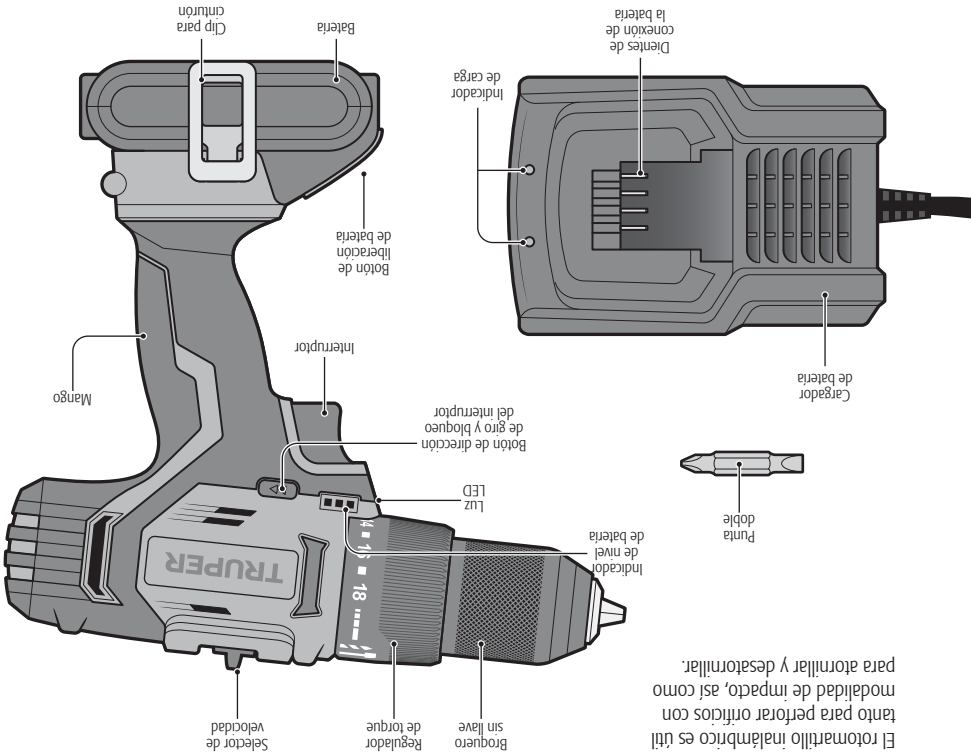


1. Conecte la clavija del cargador en un tomacorriente de 220 V ~
 2. Inserte la batería en el cargador deslizando como se muestra en la imagen. La luz verde se apagará y la luz roja deberá encenderse, indicando que la carga se ha iniciado.
 • Cuando la batería se encuentre completamente cargada, la luz verde se encenderá y la roja se apagará.
 • Desconecte el cargador de la corriente una vez concluida la carga.
 • Si la luz roja parpadea es señal de que la batería está defectuosa, reemplácela por una nueva.
 • Si la luz verde parpadea es señal de que la temperatura de la batería es menor a 0 °C o mayor a 45 °C. Espere a que la temperatura de la batería se encuentre en el rango adecuado para poder cargarla.

Carga de la batería



Puesta en marcha



El rotomartillo inalámbrico es útil tanto para perforar orificios con modalidad de impacto, así como para atornillar y desatornillar.

Partes



- Antes de operar la herramienta respaldar todas las precauciones necesarias antes de comenzar a taladrar.
- Tómese su tiempo para evaluar el trabajo a realizar y asegúrese de haber respetado todas las precauciones necesarias antes de comenzar a taladrar.
- Ajuste correctamente la broca al broquero.
- **PELIGRO** • Antes de perforar en una pared, suelo o techos, asegúrese de que no haya objetos empotrados, tales como cables o conducciones eléctricas o tuberías.
- **PELIGRO** • Asegúrese que el interruptor esté apagado (posición OFF) antes de insertar la batería, de lo contrario ésta comenzará a funcionar inmediatamente, pudiendo provocar lesiones graves.
- **ATENCIÓN** • Apague y desconecte la herramienta antes de invertir el sentido del giro del broquero, así como de instalar o reemplazar una broca. Utilizar las manijas auxiliares, si se proporcionan con la herramienta. La pérdida de control puede causar lesiones personales.

Antes de operar la herramienta

Repare la herramienta en un Centro de Servicio Autorizado TRUPER usando sólo piezas de repuesto idénticas. Para mantener la seguridad de la herramienta.

En condiciones secas, puede derramarse líquido de la batería, evite el contacto. Si hay contacto accidental, lave la zona con agua. Si hay contacto con los ojos, busque ayuda médica. El líquido derramado puede causar irritación o quemaduras.

Advertencias de Seguridad para uso de rotornillos-taladros-destornilladores

Use baterías específicamente diseñadas para la herramienta. El uso de cualquier otra batería puede ocasionar peligro de daños e incendio. Cuando la batería no esté en uso, manténgala alejada de cualquier objeto metálico como clips, monedas, llaves, clavos, tornillos o cualquier objeto metálico que pueda hacer conexión entre las terminales. Un cortocircuito entre las terminales puede ocasionar quemaduras o incendio.

Re cargue sólo con el cargador especificado por TRUPER. El cargador indicado para una batería puede ocasionar peligro de incendio si se utiliza con otra batería.



Baterías y cargador

- **PELIGRO** • Utilice únicamente el cargador incluido Truper® para cargar la batería de la herramienta. Usar otro cargador puede provocar incendio o riesgos de lesión.
- **PELIGRO** • Use únicamente baterías diseñadas específicamente para la herramienta. Otras baterías podrían generar riesgos de lesión o incendio.
- **PELIGRO** • No use el cargador a la intemperie.
- Respete la polaridad +/-, -/+ al cargar.
- Nunca cargue una batería que gotee.
- No use baterías o el cargador para propósitos distintos para los cuales fueron diseñados.
- No modifique los contactos de la batería ni del cargador.
- **PELIGRO** • Nunca exponga las baterías a temperaturas superiores a 50 °C. Nunca exponga las baterías a temperaturas alejadas de cualquier objeto metálico como clips, monedas, llaves, clavos, tornillos o cualquier otro objeto que pudiera hacer que las terminales hagan contacto; pues provocaría un cortocircuito que podría ocasionar quemaduras o incendios.
- **ATENCIÓN** • Bajo condiciones extremas, el líquido de la batería podría derramarse. De ser así, evite cualquier contacto. De ocurrir contacto accidental, lave con agua abundantemente, enjuague con agua abundante durante varios minutos y busque ayuda médica de inmediato. El líquido expulsado de las baterías podría causar irritación o quemaduras.
- **ATENCIÓN** • Para maximizar la vida útil de la batería descargue por completo por lo menos una vez al mes. No deje la batería sin recargar por más de tres meses. Siempre cargue la batería a su máxima capacidad. Antes de usar la máquina por primera vez, cargue la batería por un mínimo de 6 horas.
- Evite derramarse constantemente mientras taladra o atornilla, para evitar daños a la batería.

Elija la broca apropiada

- **ATENCIÓN** • Elija la broca apropiada para el material a trabajar, esto reduce el riesgo de lesiones graves y agiliza el trabajo.
- Para metal o plástico use brocas para trabajos en metal. Las medidas abarcan un mínimo de 0,8 mm (1,2 mm para brocas de 15 mm) hasta la capacidad máxima del broquero.
- Para madera use brocas ortomaras para trabajos de madera. En cualquier caso, perforando orificios de 6,5 mm o menos, use brocas para trabajos en metal.
- No intente utilizar brocas que excedan la capacidad del broquero.

- **ATENCIÓN** • No toque la broca ni las perforaciones inmediatamente después de taladrar. Espere a que se enfríen para manipularlas. No intente enfriarlas con agua o aceite.
- Antes de soltar la herramienta, asegúrese de que todas las partes móviles se hayan detenido por completo.
- Evite colocar la herramienta en un sitio con partículas o polvo inmediatamente después de haber sido usada, estas pueden ser absorbidos dentro del mecanismo de la herramienta y así dañarla.
- Utilice protectores auriculares, cuando escuche servicios que hagan ruidos superiores a 85 db
- Utilice mascarilla antipolvo y un equipo extractor de polvo si es necesario. Recuerde que trabajar materiales como asbesto, pinturas con plomo, aditivos, algunos tipos de madera, metales o minerales es altamente tóxico.
- Utilice gafas de seguridad.

Mientras opera la herramienta

- Sostenga la herramienta por las superficies aisladas diseñadas para este propósito, sobre todo al realizar trabajos en los que la broca pueda hacer contacto con cabezados ocultos como su propio cordón. El contacto con un cable conductor de corriente hace que las piezas metálicas de la herramienta también tengan corriente y de una descarga al operador.
- No someta la herramienta a esfuerzos excesivos.
- **ATENCIÓN** • Si la broca se atasca en la pieza de trabajo, apague la herramienta de inmediato. Luego retire la broca de la pieza de trabajo. No intente retirar las brocas atascadas encendiendo y apagando la herramienta. No ejecute demasiada presión a la herramienta con tal de acelerar la perforación. De lo contrario la broca se dañará y la eficiencia de la herramienta disminuirá al igual que su vida útil.
- **ADVERTENCIA** • En cuanto más grande sea el diámetro de la broca, la fuerza reactiva es mayor, lo que puede provocar una pérdida del control de la herramienta. Para evitar esta posibilidad sujete firmemente la herramienta con ambas manos y mantenga una posición equilibrada sobre ambos pies mientras perfora a 90°.
- Esté atento y preparado para relajar la fuerza en cuanto la broca atraviese el material. Los movimientos repentinos pueden romper la broca o dañar el cuerpo de la herramienta.
- **ATENCIÓN** • No toque la broca ni las perforaciones inmediatamente después de taladrar. Espere a que se enfríen para manipularlas. No intente enfriarlas con agua o aceite.
- Antes de soltar la herramienta, asegúrese de que todas las partes móviles se hayan detenido por completo.
- Evite colocar la herramienta en un sitio con partículas o polvo inmediatamente después de haber sido usada, estas pueden ser absorbidos dentro del mecanismo de la herramienta y así dañarla.
- Utilice protectores auriculares, cuando escuche servicios que hagan ruidos superiores a 85 db
- Utilice mascarilla antipolvo y un equipo extractor de polvo si es necesario. Recuerde que trabajar materiales como asbesto, pinturas con plomo, aditivos, algunos tipos de madera, metales o minerales es altamente tóxico.
- Utilice gafas de seguridad.

Advertencias generales de seguridad para herramientas eléctricas

¡ADVERTENCIA! Lea detenidamente todas las advertencias de seguridad y todas las instrucciones que se encuentran a continuación. La omisión de alguna de ellas puede dar como resultado un choque eléctrico, incendio y/o daño serio. **Conservar las advertencias y las instrucciones para futuras referencias.**

Área de trabajo
Mantenga el área de trabajo limpia y bien iluminada.
Las áreas desordenadas y oscuras son propensas a accidentes.
No maneje la herramienta en ambientes explosivos, como en presencia de líquido, gas o polvo inflamables.
Las herramientas eléctricas producen chispas que pueden encender material inflamable.



Mantenga alejados a los niños y curiosos cuando opere la herramienta. Las distracciones pueden hacer que pierda el control.
No maneje la herramienta en ambientes explosivos, como en presencia de líquido, gas o polvo inflamables.
Las herramientas eléctricas producen chispas que pueden encender material inflamable.



Seguridad eléctrica
La clavija de la herramienta debe coincidir con el tomacorriente. Nunca modifique una clavija. No use ningún tipo de adaptador para clavijas de herramientas puestas a tierra. Clavijas modificadas y enchufes diferentes aumentan el riesgo de choque eléctrico.
Evite el contacto del cuerpo con superficies puestas a tierra como tuberías, radiadores, cocinas eléctricas y refrigeradores. Hay un mayor riesgo de choque eléctrico si el cuerpo está puesto a tierra. No exponga la herramienta a la lluvia o condiciones de humedad. El agua que ingresa en la herramienta aumenta el riesgo de choque eléctrico. No fuerce el cable. Nunca use el cable para transportar, levantar o desconectar la herramienta. Mantenga el cable lejos del calor, aceite, ollas atildadas o piezas en movimiento. Los cables dañados o enredados aumentan el riesgo de choque eléctrico. Cuando maneje una herramienta en exteriores, use una extensión especial para usos en exteriores. El uso de una extensión adecuada para exteriores reduce el riesgo de choque eléctrico. Si el uso de la herramienta en un lugar húmedo es inevitable, use una alimentación protegida por un interruptor de circuito de falla a tierra (GFCI). El uso de un GFCI reduce el riesgo de choque eléctrico.



Uso y cuidados de la herramienta
No fuerce la herramienta. Use la herramienta adecuada para el trabajo a realizar. La herramienta adecuada hace un trabajo mejor y más seguro cuando se usa al ritmo para el que fue diseñada.
No use la herramienta si el interruptor no funciona. Cualquier herramienta eléctrica que no pueda encenderse o apagarse es peligrosa y debe repararse antes de ser operada. Desconecte la herramienta de la fuente de alimentación y/o de la batería antes de efectuar cualquier ajuste, cambiar accesorios o almacenarla. Estas medidas reducen el riesgo de arrancar la herramienta accidentalmente. Almacene las herramientas fuera del alcance de los niños y no permita su manejo por personas no familiarizadas con las herramientas o con las instrucciones. Las herramientas eléctricas son peligrosas en manos no entrenadas. Déle mantenimiento a la herramienta. Compruebe que las partes móviles no estén desalineadas o trabadas, que no haya piezas rotas u otras condiciones que puedan afectar su operación. Repare cualquier daño antes de usar la herramienta. Muchos accidentes son causados por el escaso mantenimiento de las herramientas. Mantenga los accesorios de corte afilados y limpios. Los accesorios de corte en buenas condiciones son menos probables de trabarse y más fáciles de controlar. Use la herramienta, sus componentes y accesorios de acuerdo con estas instrucciones y de la manera prevista para el tipo de herramienta, en condiciones de trabajo adecuadas. El uso de la herramienta para aplicaciones diferentes para las que está diseñada podría causar una situación de peligro.



Seguridad personal
Esté alerta, vigile lo que está haciendo y use el sentido común cuando maneje una herramienta. No la use si está cansado o bajo la influencia de drogas, alcohol o medicamentos. Un momento de distracción mientras maneja la herramienta puede causar un daño personal. Use equipo de seguridad. Use siempre protección para los ojos. El uso de equipo de seguridad como lentes de seguridad, mascarilla antipolvo, zapatos antideslizantes, casco y protección para los oídos en condiciones apropiadas, reduce de manera significativa los daños personales. Evite arranques accidentales. Asegúrese de que el interruptor de alimentación y/o a la batería o transportar la herramienta. Transportar herramientas eléctricas con el dedo sobre el interruptor o "enendido" puede causar accidentes.



Conformidad Europea
Use la herramienta, sus componentes y accesorios de acuerdo con estas instrucciones y de la manera prevista para el tipo de herramienta, en condiciones de trabajo adecuadas. El uso de la herramienta para aplicaciones diferentes para las que está diseñada podría causar una situación de peligro.



ROTI-20A-2

•	Código	11020
•	Descripción	Rotomartillo / taladro / destornillador inalámbrico
•	Broquero	13 mm (1/2") sin llave
•	Tensión	20 V=
•	Velocidad	Posición 1: 0 - 350 r/min Y 0 - 5 600 golpes por minuto Posición 2: 0 - 1 400 r/min Y 0 - 22 400 golpes por minuto
•	Rotación	adelante - reversa
•	Torque	18 + 2 funciones
•	Capacidad de perforación	concreto: 13 mm madera: 25 mm metal: 13 mm
•	Aislamiento	Clase II
•	Batería	Ion-litio 20 V= 2 Ah Tiempo de carga: 90 min aproximadamente
•	Cargador	Entrada: Tensión: 220 V~ Salida: 12 V= - 21 V= - 1,5 A Frecuencia: 50 Hz / 60 Hz Potencia: 40 W

El cable de alimentación del cargador tiene sujeta-cables tipo: Y la clase de construcción del cargador es: Aislamiento reforzado.

ADVERTENCIA Si el cable de alimentación se daña, éste debe ser reemplazado por el fabricante o Centro de Servicio Autorizado **TRUPER**, con el fin de evitar algún riesgo de descarga o accidente considerable.

La construcción del aislamiento eléctrico de esta herramienta es alterado por sapicaduras o derramamiento de líquidos durante su operación. No la exponga a la lluvia, líquidos y/o humedad.

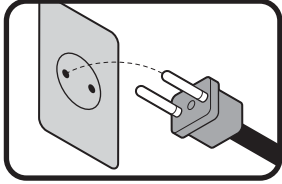
ADVERTENCIA Antes de obtener acceso a las terminales, todos los circuitos de alimentación deben ser desconectados.



Requerimientos eléctricos

ADVERTENCIA Las herramientas de doble aislamiento y aislamiento reforzado eliminan la necesidad de un cable de corriente con conexión a tierra o de un sistema de corriente eléctrica con conexión a tierra.

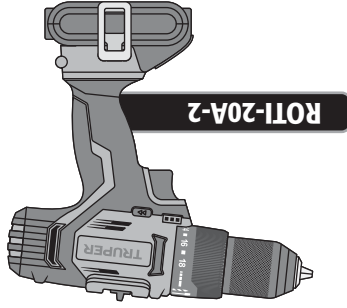
ADVERTENCIA Al usar un cable de extensión, asegúrese de usar el calibre suficiente para transportar la corriente que consumirá su herramienta. Un cable de menor potencia y sobrecalentamiento del motor. La siguiente tabla muestra el tamaño correcto que debe usarse dependiendo de la longitud del cable y de la capacidad de amperes indicada en la placa de datos de la herramienta. Si tiene dudas use el siguiente calibre más alto.



Capacidad en Amperes	Número de conductores	Calibre de extensión mayor de 15 m
de 0 A hasta 10 A	18 AWG(*)	16 AWG
de 10 A hasta 13 A	16 AWG	14 AWG
de 13 A hasta 15 A	14 AWG	12 AWG
de 15 A hasta 20 A	8 AWG	6 AWG

3 (uno a tierra)

* Se permite utilizar siempre y cuando las extensiones mismas cuenten con un artefacto de protección contra sobrecorriente. AWG = Calibre de alambre estadounidense (American Wire Gauge). Referencia: NMX-F-195-AN-CE



Guarde este instructivo para futuras referencias. Los gráficos de este instructivo son para la referencia, pueden variar del aspecto real de la herramienta.

Para poder sacar el máximo provecho de la herramienta, hacer válida la garantía en caso de ser necesario y evitar riesgos o lesiones graves, es fundamental leer este instructivo por completo antes de usar la herramienta.

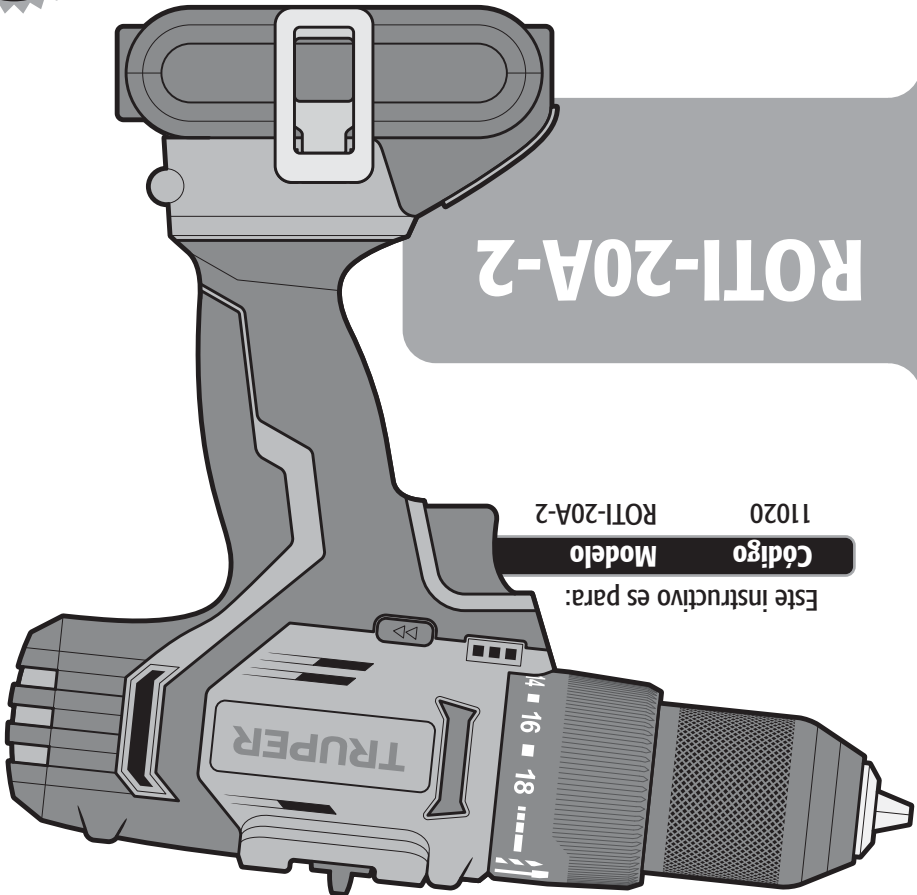
ATENCIÓN

- 3 Especificaciones técnicas.
- 3 Requerimientos eléctricos.
- 4 Advertencias Generales de Seguridad para herramientas eléctricas.
- 5 Advertencias de Seguridad para uso de rotomartillos-taladros destornilladores.
- 6 Partes.
- 6 Puesta en marcha.
- 9 Solución de problemas.
- 9 Mantenimiento.
- 9 Protección ambiental.
- 10 Notas.
- 11 Centros de Servicio Autorizados.
- 12 Póliza de Garantía.

Instructivo de

Rotomartillo / taladro destornillador inalámbrico

20 V ≈ 1/2"
13 mm Broquero



Este instructivo es para:
Código 11020
Modelo ROTI-20A-2

ROTI-20A-2

ATENCIÓN



Lea este instructivo por completo antes de usar la herramienta.

